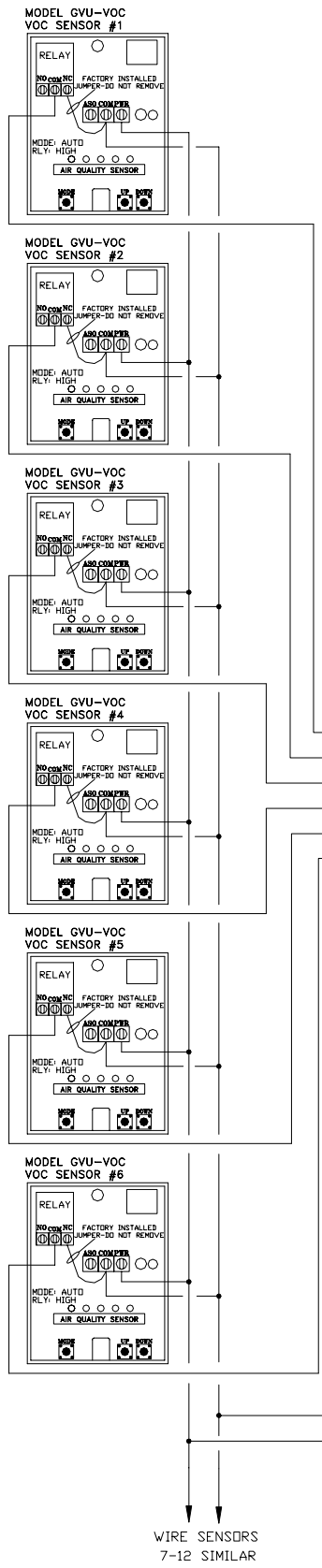


GVU-12 VOC MONITOR FIELD WIRING

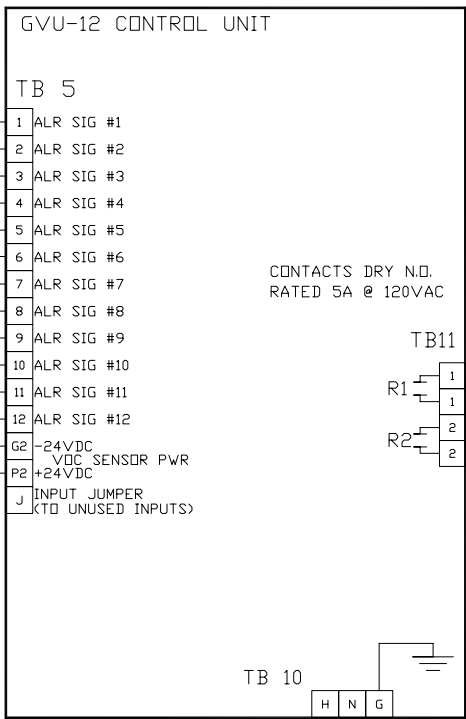
FIELD WIRING DIAGRAM

TOXALERT GVU-CO, GVU-NO2 AND GVU-CO2 SENSORS CAN BE USED IN PLACE OF OR IN COMBINATION WITH TOXALERT GVU-VOC SMOKE/AIR QUALITY SENSORS. REFER TO APPLICABLE DATA SHEETS AND SCHEMATICS.



Wire Gauge (AWG)	Max Cable Length (feet)	BELDEN NUMBER
18	1,300	8770
16	2,000	9618
14	3,000	83753
12	4,400	83803

SENSOR WIRE GAUGE AND LENGTH (IF CABLE IS NOT RUN IN METAL CONDUIT USE SHIELDED CABLE)



- TO SENSOR 7 RLY ←
- TO SENSOR 8 RLY ←
- TO SENSOR 9 RLY ←
- TO SENSOR 10 RLY ←
- TO SENSOR 11 RLY ←
- TO SENSOR 12 RLY ←

CONTACTS DRY N.O.
RATED 5A @ 120VAC

TB11
R1 } FAN PILOT RELAY 1st STAGE
1 } WIRE IN SERIES TO START FAN
R2 } AUXILIARY ALARM RELAY 2nd STAGE
2 }

120VAC 60Hz
POWER IN

WIRE SENSORS
7-12 SIMILAR

TOXALERT INTERNATIONAL
GAS DETECTION SYSTEMS
www.toxalert.com
P.O. BOX 150 MOUND, MN. 55364
(952)472-4541

ENG: *	ENG. BY *
CONTR: *	DWN BY CSS
A.	B.
C.	D.

<i>GVU-12 VOC MONITOR, FIELD WIRING</i>	
* *	
SHEET *	DATE: 3/15/06
DWG. No. SECTION 2 STD.	