

## CARBON MONOXIDE AND/OR NITROGEN DIOXIDE SENSOR MODULE

MODEL TOXEC Series

### TYPICAL INSTALLATIONS:

Parking Garages  
Bus Garages  
Fire Stations  
Warehouse

Vehicle Maintenance & Storage  
\*Highway Departments  
\*Utilities  
\*Public Works

Ice Arenas  
Post Offices  
Police Stations  
Tunnels

### GENERAL DESCRIPTION:

TOXALERT'S Model TOXEC Series/Sensor/Transmitter modules are compact, micro processor based, cost effective gas sensors designed for fixed installation, continuous monitoring of commercial and industrial facilities.

The TOXEC Series is a carbon monoxide (CO) sensor, nitrogen dioxide (NO<sup>2</sup>) sensor or a combination of both CO and NO<sup>2</sup> sensors in one monitor. Each monitor is microprocessor based to insure trouble free, long term stability and is housed in an architecturally appealing ABS housing with indicators for power and microprocessor running/malfunction. They are designed for easy direct connection to Toxalert TOX4 and ToxControl controllers or any DDC, BAS, DCS, PLC's and other control devices.



TOXEC Series Sensor

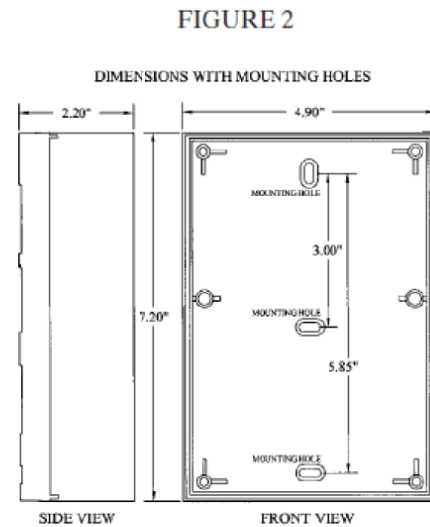
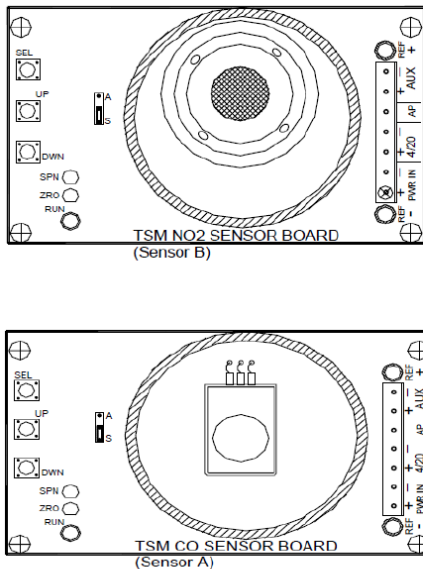
### STANDARD FEATURES:

- Single or Dual gas monitor
- Fully electronic for long life
- Operating range meets OSHA std. 1910.1000
- Indicators for power on, and malfunction

**SPECIFICATIONS:**

- **Input Power:** 24 VAC or 24 VDC (1.2watts)
- **Output Signals:** 4 to 20 mA  
Linearized over full range of 0 to 200 ppm for CO and 0 to 10 ppm for NO<sub>2</sub>
- **Environment:**  
Operation Range-
- **Temperature:** -40°F to 122°F (-20°C to 50°C)
- **Relative Humidity:** 0-95% non-condensing
- **Storage Temp.:** 32°F to 68°F (-0°C to +20°C)
- **Storage Time:** 6 month (without compromising lifetime)
- **Enclosure:**  
Dimensions: 7.2”H x 4.9”W x 2.2” D  
Type: Surface Mount  
Color: Black  
Material: ABS  
IP21 Rating

- **Response Time:**  
CO Sensor 40 Sec. to reach 90% of indication  
NO<sub>2</sub> Sensor 60 Sec. to reach 90% of indication
- **Indicators:**  
Power On and Malfunction
- **Resolution:**  
CO Sensor = 1 PPM; NO<sub>2</sub> Sensor = 0.1 PPM
- Accuracy +/- 2% of reading (CO sensor)  
+/-5% of reading (NO<sub>2</sub> sensor)
- Long term drift <5% / year (CO sensor)  
<0.03ppm (NO<sub>2</sub> sensor)
- **Typical Life:**  
CO Sensor 6 years in normal service  
NO<sub>2</sub> Sensor 2 years in normal service
- **Typical Gases:**
- CO Carbon monoxide range 0-200 ppm
- NO<sub>2</sub> Nitrogen dioxide range 0-10 ppm



**ORDERING INFORMATION:**

MODEL	GAS
TOX-EC-CO	CO
TOX-EC-NO <sub>2</sub>	NO <sub>2</sub>
TOX-EC-CO/NO <sub>2</sub>	CO & NO <sub>2</sub>
TOXEC 5/19	