

CM200 SERIES POWER SUPPLIES

CMP12(X)

GENERAL DESCRIPTION:

Toxalert offers a line of power supplies to be used with any of the CM200 series Carbon Monoxide Monitors. The CM200 series units require 12 volts DC with a minimum 300mA current supplied continuously. They come in two types. CMP12U (Fig. 1) is for single units, and the CMP12M (Fig. 2) is designed for multiple units. The CMP12M can power up to five CM200 units. In addition, the CMP12M/ALM provides power and alarm monitoring for up to five CM202 units.

These units are recommended for use with the CM200 Series as other power sources may void the warranty.



FIG.1- CM203 SHOWN WITH
CMP12U POWER SUPPLY



FIG. 2- CMP12M POWER SUPPLY

SPECIFICATIONS / ORDERING INFORMATION:

CMP12U- Unit (factory) mounted power supply, 120VAC to 12VDC @ 300mA (regulated) for CM200 series Carbon Monoxide Monitor. Ideal for stand-alone units or installations with two or three CM200 series units (one CMP12U per unit.)

CMP12M- Power Supply, 120/240VAC to 12VDC @ 1.7A (regulated), NEMA 1 Enclosure. Ideal for use with up to five CM200 series units, or multiple units with other remote annunciator options. (See fig. 3).

CMP12M/ALM/X (X = # of sensors)- Power Supply and remote alarm monitor for up to five CM202 Carbon Monoxide monitors, 120/240VAC to 12VDC @ 1.7A (regulated). See figures 4(a) and 4(b).

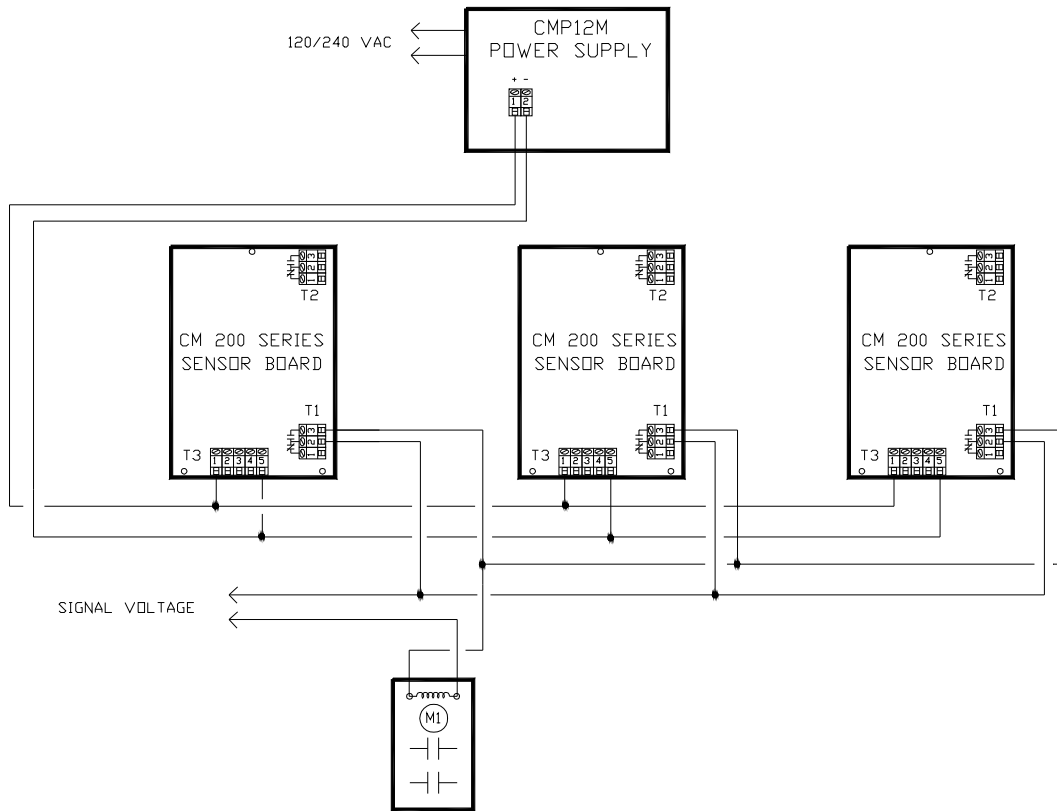


Fig. 3

Fig. 3 shows an example of multiple CM20(X) units being powered by a CMP12M Power supply. The CMP12M can power up to five CM20(X) units.

MODEL CMP12M/ALM/X

Figures 4(a) and 4(b) show a version of the CMP12M/ALM/X. This unit can simultaneously power up to five CM202 units while monitoring alarm conditions of all units in the installation. Unit comes with Alarm Horn (with silence switch), Power On indicator, and Alarm indicators for each CM202.

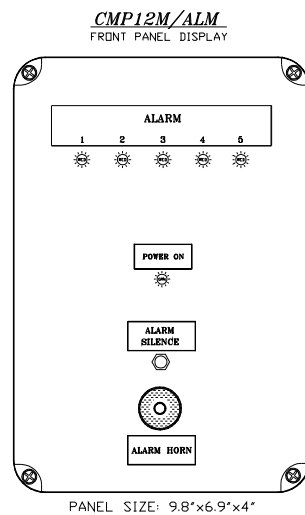


FIG. 4(a)

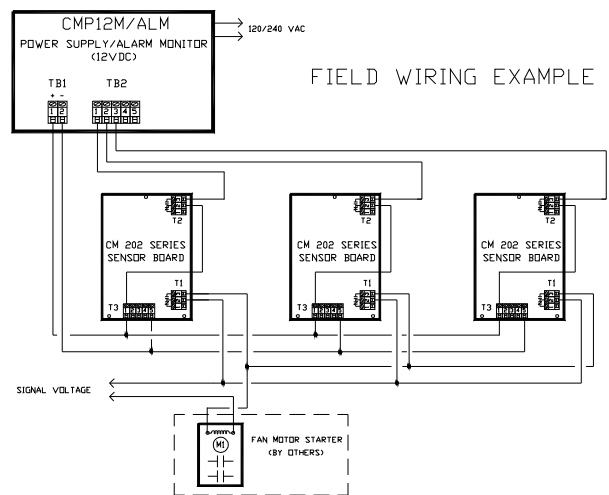


FIG. 4(b)