
TOXALERT™

DATA
SHEET

**CARBON MONOXIDE AND/OR NITROGEN DIOXIDE
SENSOR MODULES**

MODEL TOXEC Series

TYPICAL INSTALLATIONS:

Parking Garages
Bus Garages
Fire Stations
Warehouse

Vehicle Maintenance & Storage
•Highway Departments
•Utilities
•Public Works

Ice Arenas
Post Offices
Police Stations
Tunnels

GENERAL DESCRIPTION:

TOXALERT'S Model TOXEC Series Sensor/transmitter modules are compact, micro processor based, cost effective gas sensors designed for fixed installation, continuous monitoring of commercial and industrial facilities.

The TOXEC Series is a carbon monoxide (CO) sensor, nitrogen dioxide(NO₂) sensor or a combination of both CO and NO₂ sensors in one monitor. Each monitor is microprocessor based to insure trouble free, long term stability and is housed in an architecturally appealing ABS housing with indicators for power and microprocessor running/malfunction. They are designed for easy direct connection to Toxalert TOX4 and ToxControl controllers or any DDC, BAS, DCS, PLC's and other control devices.

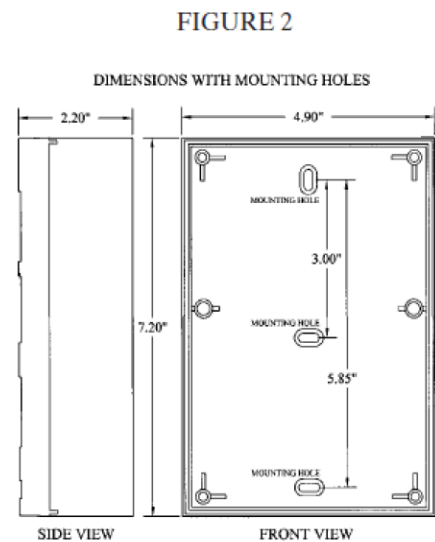
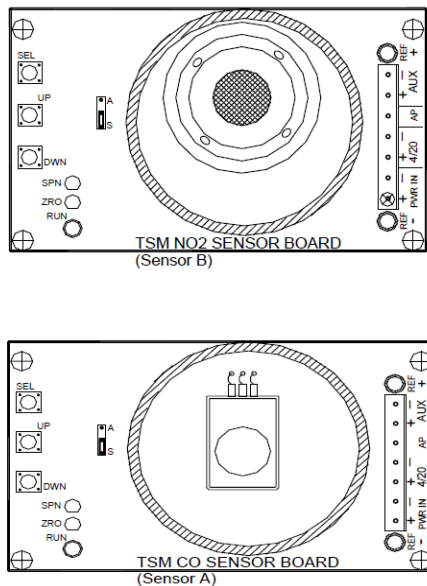


FEATURES:

- Single or Dual gas monitor
- Fully electronic for long life
- Field selectable 24 volts AC or DC power
- Operating range meets OSHA std. 1910.1000
- Indicators for power on, and malfunction

SPECIFICATIONS:

- Gas Detected: CO, NO₂
 - Sensor Type: Electro-Chemical
 - Range: CO 0-200 PPM, NO₂ 0-10PPM
 - Input Power: 24VAC or 24VDC
- Indicators:
 - Power On
 - Malfunction
- Environment
 - Operation Range-
 - Temperature: -40°F to 122°F (-20°C to 50°C)
 - Relative Humidity: 0-95% non-condensing
 - Storage Range-
 - Temperature: -40°F to 122°F (-20°F to 50°C)
 - Relative Humidity: 0-95% non-condensing
 - Enclosure:
 - Dimensions: 7.2"H x 4.9"Wx2.2"D
 - Type: Surface Mount
 - Color: Black
 - Material: ABS
 - Response Time:
 - CO Sensor 40 Seconds to reach 90% of indication
 - NO₂ sensor 60 seconds to reach 90% of indication
 - Resolution:
 - CO sensor = 1 PPM; NO₂ sensor = 0.02 PPM
 - Typical Life:
 - CO Sensor 6 years in normal service
 - NO₂ Sensor 2 years in normal service



ORDERING INFORMATION:

Model	Gas
TOXEC-CO	CO
TOXEC-NO	NO ₂
TOXEC-CO/NO ₂	CO & NO ₂